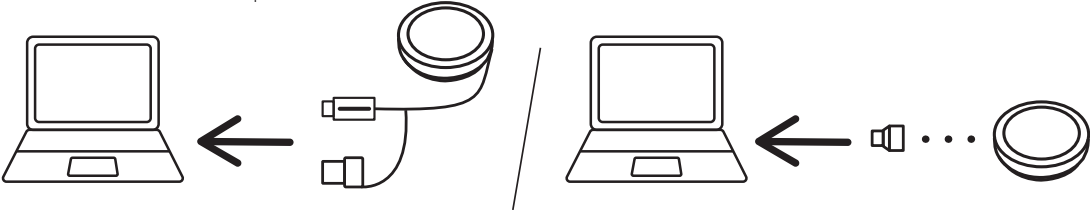
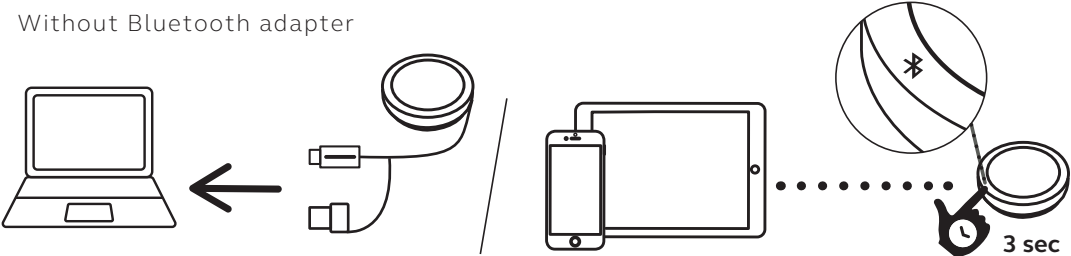


CONNECTING

With Bluetooth adapter



Without Bluetooth adapter



CONTROLS AND LEDS

MS Version

Play/pause music
(customizable in app)

Power on/off
(press 2 sec)

Microphone Quality Indicator
& Status LED ring

Microsoft Teams control

Answer call

End/reject call

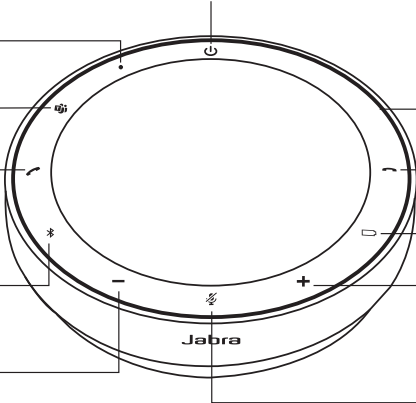
Bluetooth pairing
(press 3 sec)

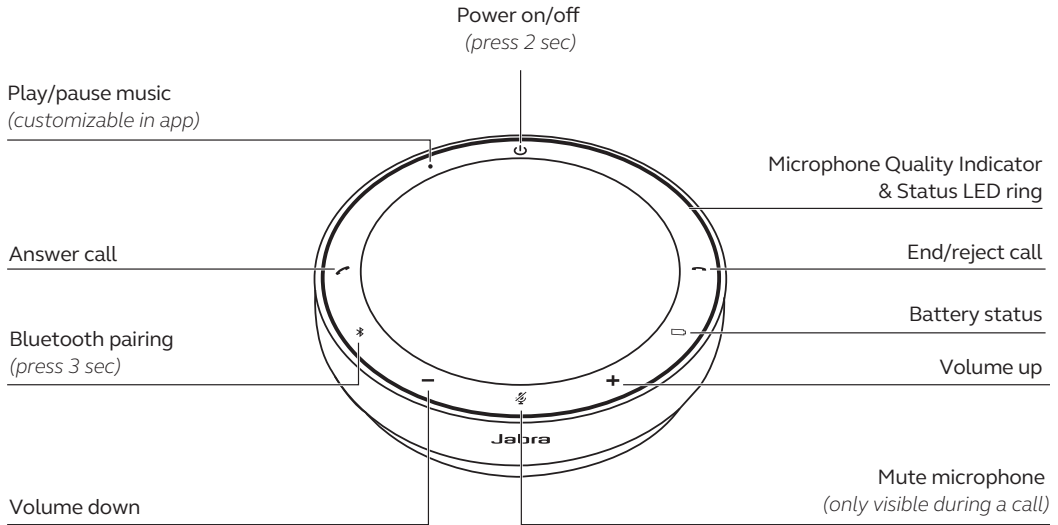
Battery status

Volume down

Volume up

Mute microphone
(only visible during a call)

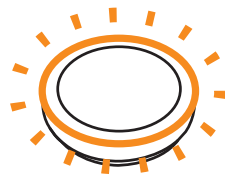




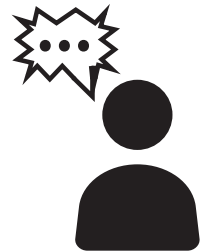
MICROPHONE QUALITY INDICATOR (enable in app)



Good quality



Poor quality



Move closer to the Jabra Speak2 75, or speak louder and clearer.

USER INSTRUCTIONS IN REGIONAL LANGUAGES

EN Go to [Jabra.com/manuals](https://www.jabra.com/manuals) for user instructions **DE** Um eine Bedienungsanleitung zu erhalten, rufen Sie bitte [jabra.com/manuals](https://www.jabra.com/manuals) auf **FR** Pour obtenir des instructions d'utilisation, rendez-vous sur [jabra.com/manuals](https://www.jabra.com/manuals) **ES** Consulte las instrucciones para el usuario en [jabra.com/manuals](https://www.jabra.com/manuals) **RU** Руководства пользователя доступны на странице [jabra.com/manuals](https://www.jabra.com/manuals) **IT** Vartotojo instrukcijas žr [jabra.com/manuals](https://www.jabra.com/manuals) **TR** Kullanım kılavuzları için [jabra.com/manuals](https://www.jabra.com/manuals) adresini ziyaret edin **PT** Vá a [jabra.com/manuals](https://www.jabra.com/manuals) para obter as instruções de utilizador **SV** Gå till [jabra.com/manuals](https://www.jabra.com/manuals) för användarinstruktioner **PL** Instrukcji użytkownika jest dostępna na stronie [jabra.com/manuals](https://www.jabra.com/manuals) **LT** Vai su [jabra.com/manuals](https://www.jabra.com/manuals) per le istruzioni per l'utente **HI** उपयोगकर्ता के निर्देशों के लिए [jabra.com/manuals](https://www.jabra.com/manuals) पर जाएं **VI** Truy cập [jabra.com/manuals](https://www.jabra.com/manuals) để xem hướng dẫn sử dụng **ID** Buka [jabra.com/manuals](https://www.jabra.com/manuals) untuk petunjuk pengguna **TH** ไปยัง [jabra.com/manuals](https://www.jabra.com/manuals) เพื่ออ่านคู่มือผู้ใช้งาน **KO** [jabra.com/manuals](https://www.jabra.com/manuals) 로 이동하여 사용자 지침을 확인하십시오 **JP** 手順については、[jabra.com/manuals](https://www.jabra.com/manuals) をご覧ください **ZH-HANT** 瀏覽 [jabra.com/manuals](https://www.jabra.com/manuals) 以取得用戶說明 **ZH-HANS** 前往 [jabra.com/manuals](https://www.jabra.com/manuals) 查看用戶說明

AR انتقل إلى [jabra.com/manuals](https://www.jabra.com/manuals) لمطالعة تعليمات المستخدم.

© 2023 GN Audio A/S. All rights reserved. Jabra® is a registered trademark of GN Audio A/S. The Bluetooth® wordmark and logos are owned by the Bluetooth SIG, Inc. and any use of such marks by GN Audio A/S is under license.

Declaration of Conformity can be found on www.jabra.com/doc